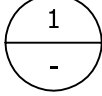


1st STUD ALIGNED WITH INTERNAL FACE
STUDS @ MAX. 500 CTS

EXTRUDED ALUMINIUM
PROFILE WITH
WEATHERPROOF SEAL

EXTERNAL FACE



1st STUD ALIGNED WITH INTERNAL FACE
STUDS @ MAX. 500 CTS

EXTERNAL FACE

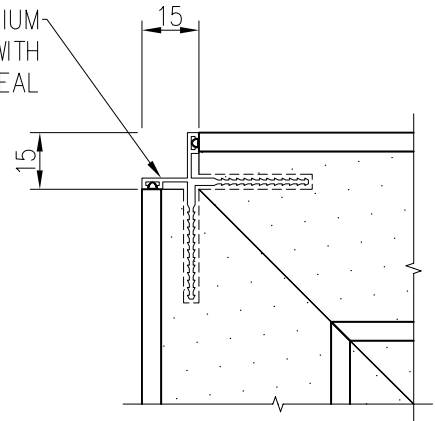
4 / 10g ZINC
PLATED TEK SCREWS.
REFER TO COMPONENT 38
FOR CONNECTOR DETAILS

FOAM LINE

VIEWED FROM TOP

ALUMINIUM TOP PLATE

EXTRUDED ALUMINIUM
PROFILE WITH
WEATHERPROOF SEAL

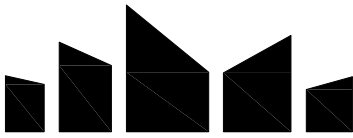


1 **DETAIL**
Scale: 1:2

AT EXTERNAL CORNERS ONLY

© Copyright 2007 Walltech Building Systems Ltd

These drawings and design are the sole property of Walltech Building Systems Ltd and are not to be copied, revised or distributed without the written permission of Walltech Building Systems Ltd.



walltech

Walltech Building Systems Limited
Ground Floor, Quad 4, 8 Parkview Drive
Sydney Olympic Park NSW 2127
Australia
PO Box 6106
Silverwater NSW 2128
P: +61 2 9704 8888
F: +61 2 9746 6595
E: design@walltech.com

drawing title

200mm EXT.&INT. CORNER TOP PLATE

drawn
R.C.

checked
-

approval
-

date
06.02.08

scale
1:5,2

at sheet size
A4

drg no.
DETAIL A7

rev
D